

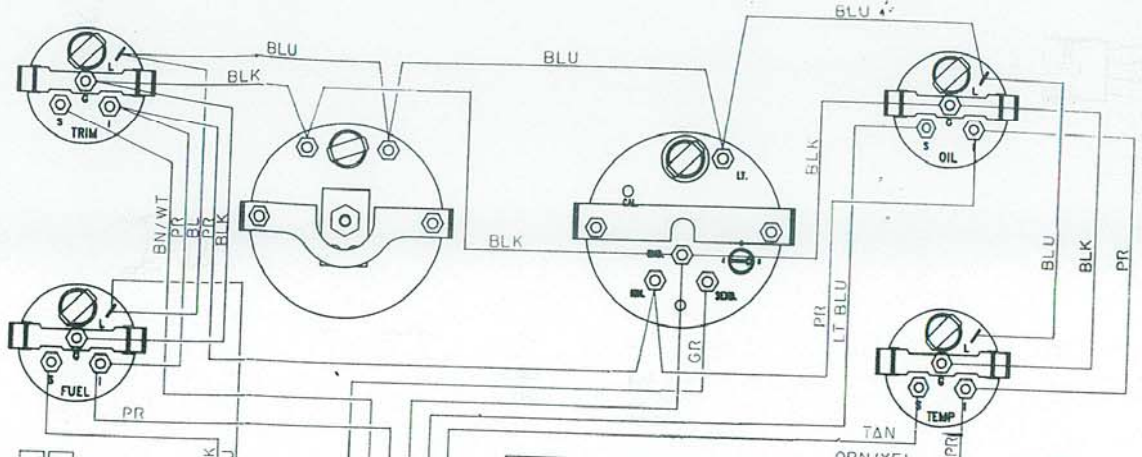
DATE	DR	REVISION	CR

6 WAY MLE  
1 2 3 4 5 6

ORN/ BLK 3  
GRY/ BLK 2  
BLK 1  
3 WAY MLE

9 WAY MLE  
1 2 3 4 5 6 7 8 9

9 WAY FEM  
1 2 3 4 5 6 7 8 9



6 WAY MLE  
1 2 3 4 5 6

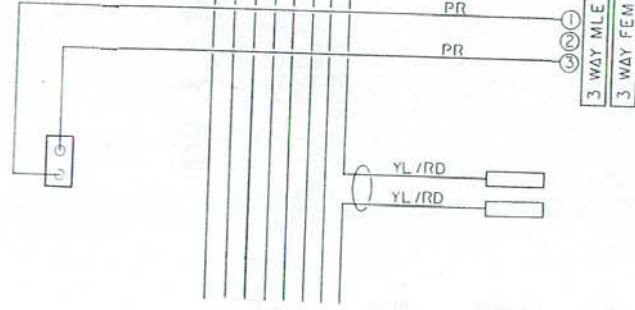
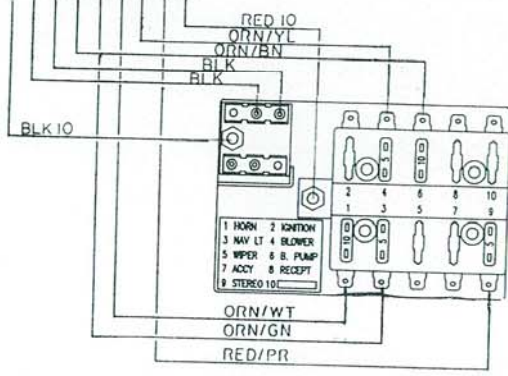
6 WAY FEM  
1 2 3 4 5 6

YEL  
PNK  
ORN/YEL  
BLU  
BLK

6 WAY MLE  
1 2 3 4 5 6

6 WAY FEM  
1 2 3 4 5 6

ORN/YEL  
YEL/RED  
YEL  
RED IO  
BLK



TAN  
LT BLU  
PUR  
RED IO

BLK IO  
GRY  
YEL/RED  
BRN/WHT

**MIG** ELECTRO-GEN CORP. 800 SEASIDE CIRCLE VIRGINIA BEACH, VA 23462

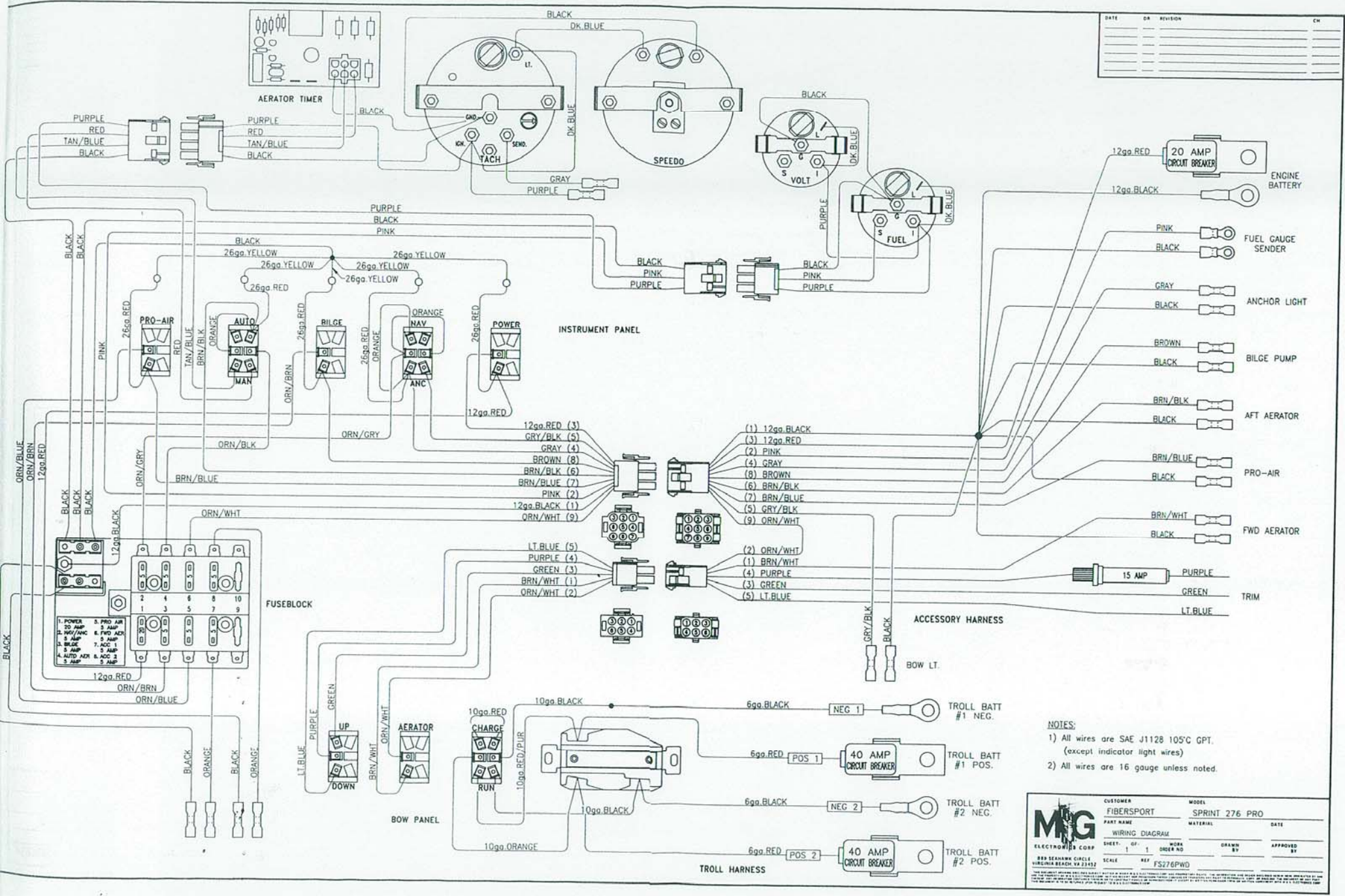
OUTSIDE MODEL: **FIBERSPORT** MANTA RAY

PART NAME: **INST. PNL.** MATERIAL: DATE:

SHEET: 1 OF 1 WORK ORDER NO. DRAWN BY: APPROVED BY:

SCALE: REF:

DATE	DR	REVISION	CM



**NOTES:**

- 1) All wires are SAE J1128 105°C GPT. (except indicator light wires)
- 2) All wires are 16 gauge unless noted.

**M/G** ELECTRONICS CORP. 888 SEAHAWK CIRCLE VIRGINIA BEACH, VA 23452

CUSTOMER: FIBERSPORT  
 MODEL: SPRINT 276 PRO  
 PART NAME: WIRING DIAGRAM  
 SHEET: 1 OF 1  
 DRAWN BY: [ ]  
 APPROVED BY: [ ]  
 SCALE: REF  
 FS276PWD